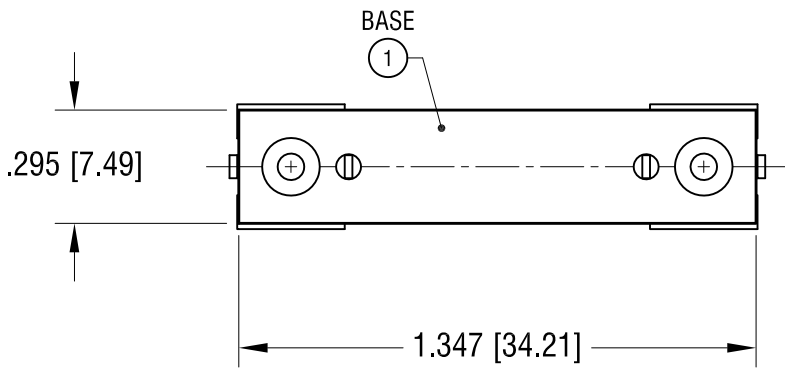
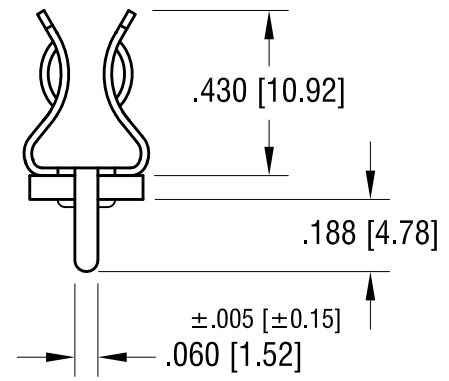
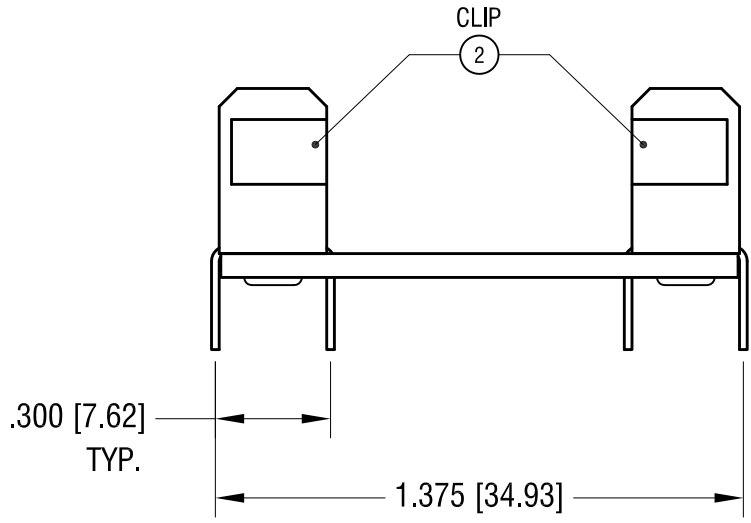
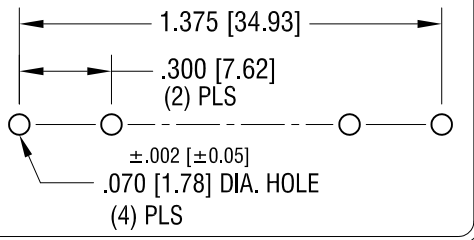


THIS DOCUMENT IS THE PROPERTY OF  
KEYSTONE ELECTRONICS CORP. AND  
SHALL NOT BE REPRODUCED, DISTRIBUTED  
OR USED AS A BASIS FOR MANUFACTURE  
WITHOUT PRIOR WRITTEN PERMISSION  
FROM KEYSTONE ELECTRONICS CORP.

MOUNTING DETAIL



NOTES:

- ① BASE:  
MAT'L: .062 [1.57] TH'K  
GPO-3 UL 94V-0.
- ② CLIP: P/N 3514

4.01.11	CHANGE AS PER ECN 11-042	C
3.6.98	CHANGE AS PER ECR 98-016	B
10.23.96	CHANGE AS PER ECR 96-049	A
DATE	DESCRIPTION	REV.

<b>KEYSTONE ELECTRONICS CORP.</b>			
ASTORIA, N.Y. 11105-2017			
PART NAME		3AG PC FUSE HOLDER	
MATERIAL		AS NOTED	
FINISH	AS NOTED	DRN BY	BOONE
		APP'D	LN
		DATE	9.20.82
		SCALE	2X
TOLERANCES	INCH [MM]	CODE	DWG NO.
DECIMAL	± .015 [± 0.38]	C	<b>4245</b>
ANGULAR	± 1°		
UNLESS OTHERWISE SPECIFIED			